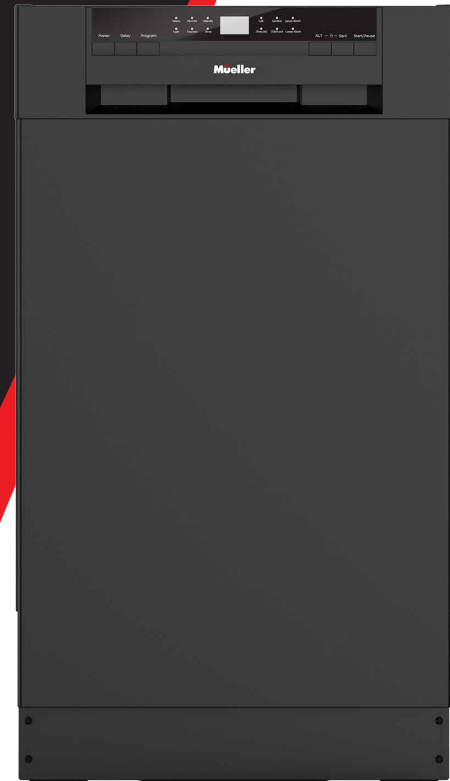


Mueller

Professional Series 18" Built-In Dishwasher

Model DW-1800

INSTALLATION MANUAL



CONTENTS

IMPORTANT SAFETY INSTRUCTIONS.....	1
INSTALLATION REQUIREMENTS.....	2
LOCATION REQUIREMENTS.....	4
DRAIN REQUIREMENTS.....	5
ELECTRICAL REQUIREMENTS.....	6
WATER SUPPLY REQUIREMENTS.....	7
INSTALLATION	8-12

IMPORTANT SAFETY INSTRUCTIONS

PROVIDED WITH THIS DISHWASHER ARE THIS INSTALLATION INSTRUCTION AS WELL AS AN USER MANUAL. READ ALL INSTRUCTIONS BEFORE INSTALLING AND OPERATING YOUR PROFESSIONAL SERIES 18" BUILT-IN DISHWASHER FOR THE FIRST TIME. FAILURE TO ADHERE TO THESE INSTRUCTIONS AND PRECAUTIONS WILL VOID THE MANUFACTURER'S WARRANTY.



WARNING

- Disconnect electrical power before installing the dishwasher.
- Permanent installation work must be performed in accordance with all local codes and ordinances for electrical and plumbing connections and must be performed by authorized personnel only.
- Do not use the dishwasher until completely installed.
- Check the dishwasher for any damage before trying to install it. If you find any damage to the dishwasher, contact the Mueller Customer Service.
- This dishwasher must be connected to a hot water supply between 120°F (49°C) and 150°F (65°C). This temperature range provides the best washing results and the shortest cycle time. The temperature should not exceed 150°F (65°C) to prevent damage to the dishes.
- This appliance must be positioned near an electrical power supply.
- To reduce the risk of electric shock, fire, or injury to persons, the installer must ensure that the dishwasher is completely enclosed at the time of installation.



IMPORTANT

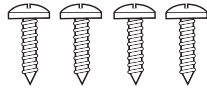
- Installation of this dishwasher requires basic mechanical and electrical skills. Proper installation is the responsibility of the installer. Product failure due to improper installation is not covered by the warranty.
- While performing installations described in these Installation instructions, gloves, safety glasses, or goggles should be worn.

INSTALLATION REQUIREMENTS

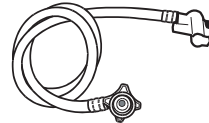
TOOLS AND PARTS

Gather the required tools and parts before starting installation.

PARTS SUPPLIED

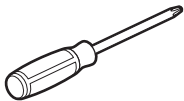


4 x #8 wood screws 5/8" long
and hole plugs to secure the dish-
washer to the countertop or the side
cabinet (packed inside the tub)

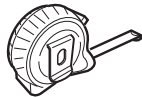


Water supply hose with screws
(packed inside the tub)

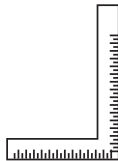
TOOLS YOU WILL NEED (not supplied)



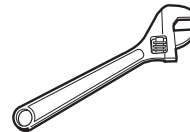
Phillips
screwdriver



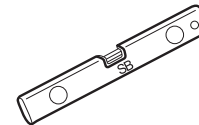
Measuring
tape or ruler



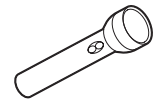
Carpenter's
Square



6" Adjustable
Wrench



Level



Flashlight

**MATERIALS YOU WILL NEED
(not supplied)**

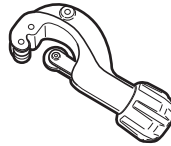


Thread Seal
Tape



1 1/2"-2"
Screw Type
Hose Clamp

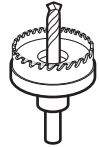
**TOOLS FOR NEW INSTALLATION ONLY
(not supplied)**



Tubing
Cutter



Drill



Hole Saw Set

**MATERIALS FOR NEW INSTALLATION ONLY
(not supplied)**



Waste Tee



Hand Shut-Off
Valve



Coupler

LOCATION REQUIREMENTS

- Any built-in dishwasher must be fully enclosed on the top, sides, and back and must not support any part of the enclosure. Therefore, the cabinet space below your countertop is the best location.
- The cabinet opening must be at least 23" (58.4 cm) deep and 17.7" (45 cm) wide and 32.5"-34.5" (82.5 cm – 87.5 cm) high as shown in **Figure A**.
- If the dishwasher is to be installed in a corner, make sure there is an adequate clearance to open the door. A minimum of 2" (5 cm) is required between the dishwasher and an adjacent wall, as shown in **Figure B**.
- Select a location as close to the sink as possible for easy connections to water and drain lines.
- To ensure proper drainage, the dishwasher should not be installed more than 10 feet (3 meters) from the sink.
- Do not install dishwasher over carpeted flooring.

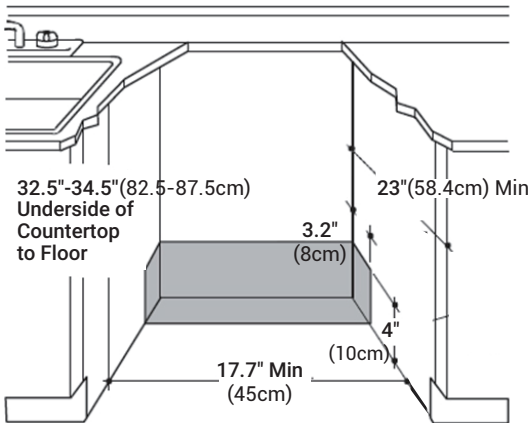


Figure A

Plumbing and Electric Service
Must Enter Shaded Area

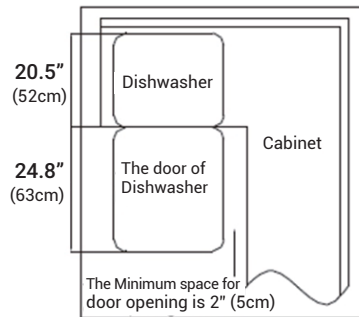
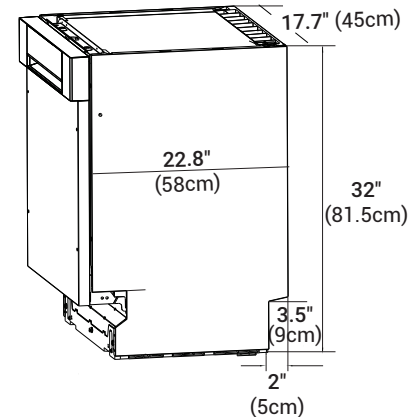


Figure B



DRAIN REQUIREMENTS

WARNING! THESE INSTALLATION INSTRUCTIONS ARE INTENDED FOR USE BY QUALIFIED PROFESSIONALS.

One end of the Drain hose is already attached to your dishwasher.

The type of drain installation depends on answers to the following questions:

1. Do local codes or ordinances require an air gap?
2. Will waste tee or disposer connection be less than 18" above the floor?
3. Will installation have a drain loop less than 32" above the floor?

If the answer to ANY of the 3 questions above is YES, Method 1 MUST be used. Otherwise, either Method 1 (**Figure C**) or Method 2 (**Figure D**) may be used.

Method 1 -Air Gap with Waste Tee or Disposer

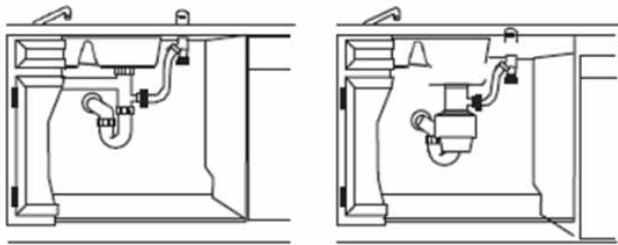


Figure C

Method 2 -High Drain with Waste Tee or Disposer

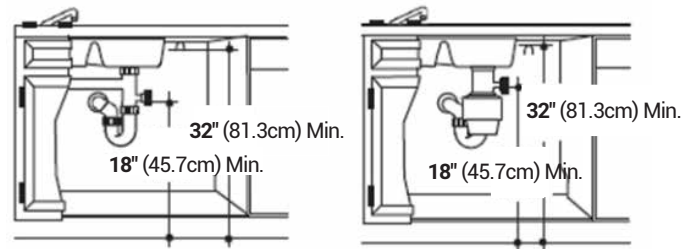


Figure D

CABINET PREPARATION

Drill a 1" - 1½" diameter hole in the cabinet wall within the shaded areas shown in **Figure A** for the drain hose connection. The hole should be smooth with no sharp edges.

ELECTRICAL REQUIREMENTS

WARNING! THESE INSTALLATION INSTRUCTIONS ARE INTENDED FOR USE BY QUALIFIED PROFESSIONALS.

Ensure that the electrical installation is adequate and in conformance with all national and local codes and ordinances.

You must have:

- 120-volt, 60 Hz, AC-only, 12-amp, fused electrical supply.

We recommend:

- A time-delay fuse or circuit breaker.
- A separate circuit.

Warning! No other appliances or outlets should be connected to the dishwasher supply circuit.

Connecting the Power cord

- One end of the Power cord is already attached to the dishwasher. Plug the other end (the plug) into a grounded 3 prong outlet located on an adjacent wall or cabinet. The outlet must meet all local codes and ordinances.

CABINET PREPARATION

Drill a 1⁴/₅" diameter hole in the cabinet (**Figure E**) on the right-hand side or rear of the cabinet. For wood cabinets, sand the hole until smooth. For metal cabinets, cover the edge with a grommet.

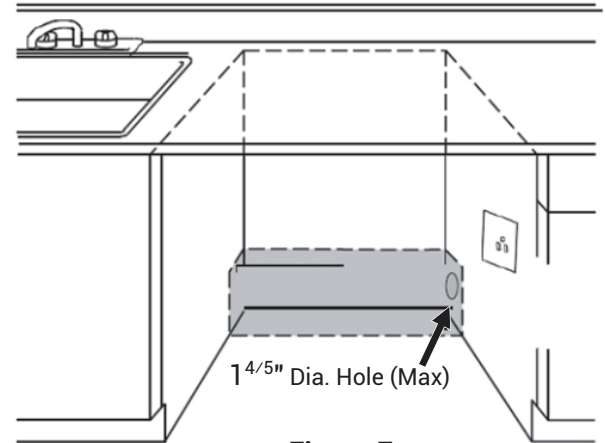




Figure E

Openings for electrical lines must be installed in the marked areas, as shown in **Figure E**, to avoid interference with the dishwasher frame or other components.

 <p>WARNING</p>		<p>ELECTRICAL SHOCK HAZARD</p> <p>The improper connection of the equipment grounding conductor can result in a risk of electric shock.</p>
---------------------------------------------------------------------------------------------------------	------------------------------------------------------------------------------------	---------------------------------------------------------------------------------------------------------------------------------------------------

WATER SUPPLY REQUIREMENTS

- The Water supply line pressure must be 6-145 psi.
- The Water heater should be set to deliver 120°F (49°C) to 150°F (65°C) water temperature to the dishwasher.
- The Water supply hose may enter from either side, within the shaded area shown in **Figure F**.

CABINET PREPARATION

Drill a 1 4/5" diameter hole in the cabinet (**Figure F**) for the water supply line.

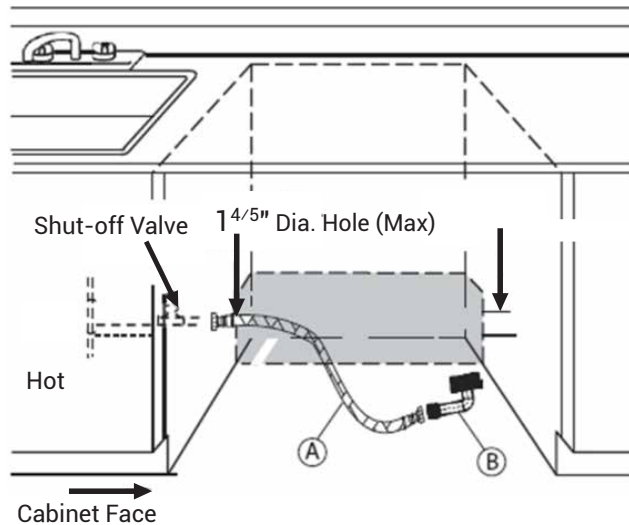


Figure F

Installing the water supply line

NOTE: The water supply hose is located inside the tub.

1. Turn off the water supply.
2. Install a hand shut-off valve in an accessible location, such as under the sink. (Optional, but strongly recommended, and may be required by local codes.)
3. As shown in **Figure F**, connect one end of the inlet line (A) to the 3/4-inch FHT (B) and connect to the dishwasher.
4. Run the other end of the inlet line through the hole in the cabinet. If the shut-off valve is 3/8 inch I.D., the inlet line can be directly connected to the shut-off valve.
5. Adjust the water heater so that it delivers water temperature between 120°F (49°C) and 150°F (65°C).
6. Flush the water line to clean out debris.

Important! Make sure there are no sharp bends or kinks in the water line, which might restrict water flow.



CAUTION



Opening the door will cause the dishwasher to tip forward. Do not open the door until you are ready to install the dishwasher. If it is necessary to open the door, hold the top of the dishwasher securely with one hand, and hold the door with the other hand.

INSTALLATION



WARNING

ELECTRICAL SHOCK HAZARD

- DISCONNECT ELECTRICAL POWER AT THE CIRCUIT BREAKER BOX OR FUSE BEFORE INSTALLING THE DISHWASHER.
- ELECTRICALLY GROUND THE DISHWASHER.
- FAILURE TO DO SO CAN RESULT IN DEATH, FIRE, OR ELECTRICAL SHOCK.

STEP 1

Disconnect electrical power at the fuse box or circuit breaker box before installing the dishwasher.

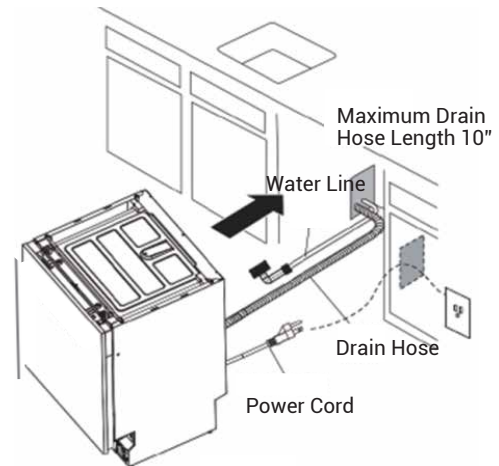
STEP 2

Shut off the water supply to the dishwasher.

STEP 3

- Insert the drain hose into the cabinet wall hole.
- Insert the power cord into the other cabinet wall hole.

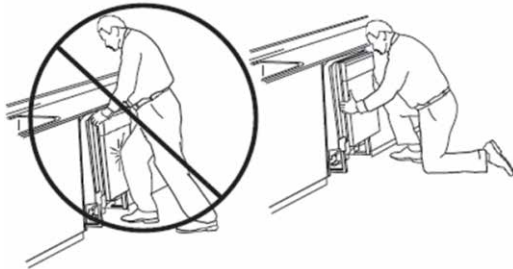
TIP: Position water line and house wiring on the floor to avoid interference with the base of the dishwasher.



STEP 4

- Slide the dishwasher into the opening a few inches at a time.

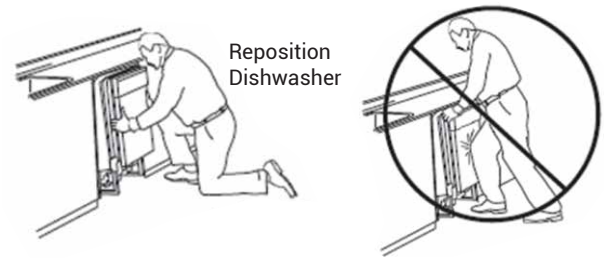
DO NOT PUSH AGAINST FRONT PANEL WITH KNEES. IT WILL CAUSE DAMAGE TO THE DOOR.



- As you proceed, pull the drain hose through the opening under the sink. Stop pushing when the dishwasher is a few inches forward of adjacent cabinetry.
- Make sure the drain hose is not kinked under the dishwasher, and there is no interference with the water line and wiring or any other component.

STEP 5

- Check to make sure that the power cord and hoses are secure under the dishwasher and not pinched or in contact with other dishwasher components.
- Push the dishwasher into the cabinet. The front corners of the dishwasher door should be flush with cabinet doors. Be careful not to dent front panels with knees or damage countertop or cabinets with dishwasher parts.



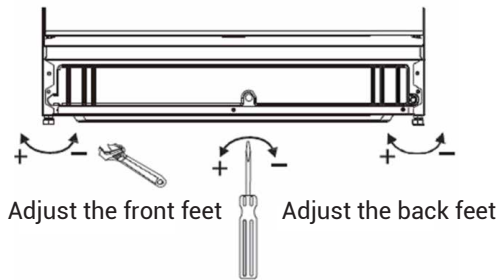
STEP 6

The dishwasher must be level for proper dish rack operation and wash performance.

- Place the level on the door and rack track inside the tub as shown to check if the dishwasher is level.



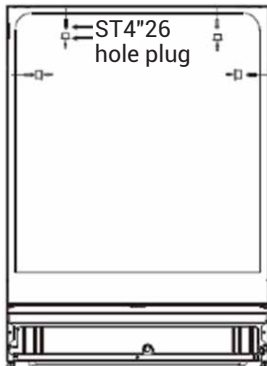
- Adjust the height by turning the feet to make sure the dishwasher is level.



TIP: Pull the lower rack out about halfway. The rack should not roll forward or back into the dishwasher. If the rack rolls in either direction, the dishwasher must be leveled again.

STEP 7 - OPTIONAL

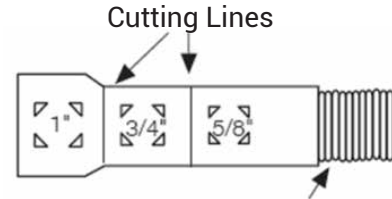
You can secure the dishwasher to the cabinet with the provided self-taping screws. Open the dishwasher door, tighten the 4 screws into the outer frame of the dishwasher, and place the 4 hole-plugs on top of the screws, as shown in the drawing below.



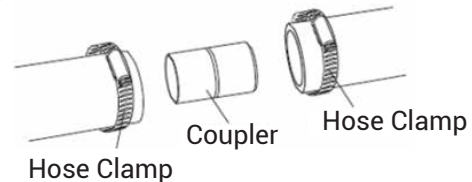
STEP 8

The drain hose molded end will fit 5/8" (1.6 cm), 3/4" (1.9 cm), or 1" (2.5 cm) diameter connections on the air gap, waste tee, or disposer. Cut on the marked line as required for your installation.

IMPORTANT: Do not cut the corrugated portion of the hose.



If a longer drain hose is required, add up to 42" (1 meter) of length for a total of 10 ft. (3 meters) to the factory-installed hose. Use 5/8" (1.6 cm) or 7/8" (2.2 cm) inside diameter hose and a coupler to connect the two hose ends. Secure the connection with hose clamps.



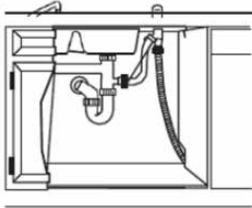
NOTE: TOTAL DRAIN HOSE LENGTH MUST NOT EXCEED 10 FEET (3.6 METERS) FOR PROPER DRAIN OPERATION.

Water Line Connection

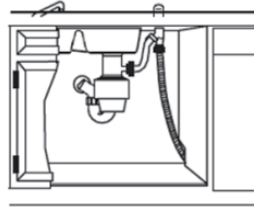
Connect drain line to the air gap, waste tee, or disposer using one of the previously determined methods.

Method 1

Air gap with waste tee or disposer



Waste Tee Installation

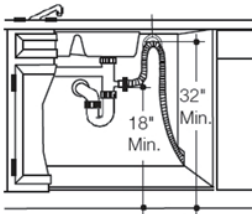


Disposer Installation

Method 2

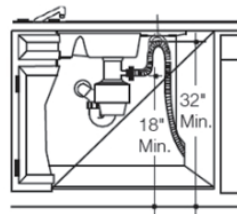
High drain loop with waste tee or disposer

Draining Hose Hanger



Waste Tee Installation

Draining Hose Hanger

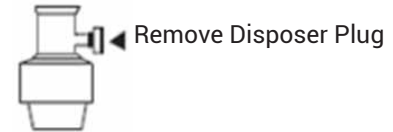


Disposer Installation

IMPORTANT:

When connecting the drain line to the disposer, check to be sure that the drain plug has been removed.

DISHWASHER WILL NOT DRAIN IF THE PLUG IS LEFT IN PLACE.



STEP 9

- Plug the Power supply cord into a grounded 3 prong outlet.
- Make sure the socket is compatible with the plug of the appliance; the socket must have an earthing wire and should be able to hold 120V/13A, otherwise, damage or accident may occur. Other electric appliances must not use the same socket as the dishwasher.



WARNING



ELECTRICAL SHOCK HAZARD

Plug into a grounded 3 prong outlet.
Do not remove the ground prong.
Do not use an adapter.
Do not use an extension cord.
Failure to follow these instructions can result in death, fire, or electrical shock.

STEP 10

Perform a PRE-TEST by reviewing this list after installing your dishwasher:

- Check to be sure the power is OFF.
- Open the door and remove all foam and paper packaging.
- Read the Instruction Manual for operating instructions.
- Check the door opening and closing. If the door does not open and close freely or tends to fall, check spring adjustments.
- Make sure that the wiring is secure under the dishwasher, not pinched or in contact with other components.
- Check door alignment with tub. If the door hits the tub, level the dishwasher.
- Pull the lower rack out about halfway. The rack should not roll back or forward on the door. If the rack moves, adjust the leveling legs.
- Check door alignment with the cabinet. If the door hits the cabinet, reposition or relevel the dishwasher.
- Make sure that the water supply and drain lines are not kinked or in contact with other components. Contact with the dishwasher frame could cause noise.
- Turn on the sink hot water faucet and verify water temperature.
- Incoming water temperature must be between 120°F (49°C) and 150°F (65°C). A minimum of 120°F (49°C) temperature is required for best wash performance.
- Turn on the water supply. Check for leaks. Tighten connections if needed.

STEP 11

Perform the WET-TEST by following these instructions:

- Plug the power cord into the outlet.
- Power on and select the "Rinse" wash program.
- Close the door and press the "Start" button.
- Check to be sure that water enters the dishwasher. If water does not enter the dishwasher, check if the water and the power are turned on.
- Check for leaks under the dishwasher. If a leak is found, turn the power supply off, then tighten connections. Restore power after the leak is corrected.
- Check for leaks around the door. A leak around the door could be caused by door rubbing or hitting against adjacent cabinetry.
- Reposition the dishwasher if necessary.
- The dishwasher will drain and turn off about 10 to 12 minutes after the first fill. Check the drain lines. If leaks are found, turn the power off at the breaker and correct plumbing as necessary.
- Restore power after corrections are made.
- Open the dishwasher door and check if most of the water has drained. If not, check the drain line for kinks.
- Run the dishwasher through another fill and drain cycle.
- Check for leaks and correct if required.
- At the end of the drain, open the door and press the "Power off" button.



Müller

Müller USA

🏠 168 Mason Way Unit #4A,
City of Industry, CA 91746

☎ Telephone: (888) 632-9981

✉ E-mail: support@muellerdirect.com

🌐 Web: www.muellerhome.us
